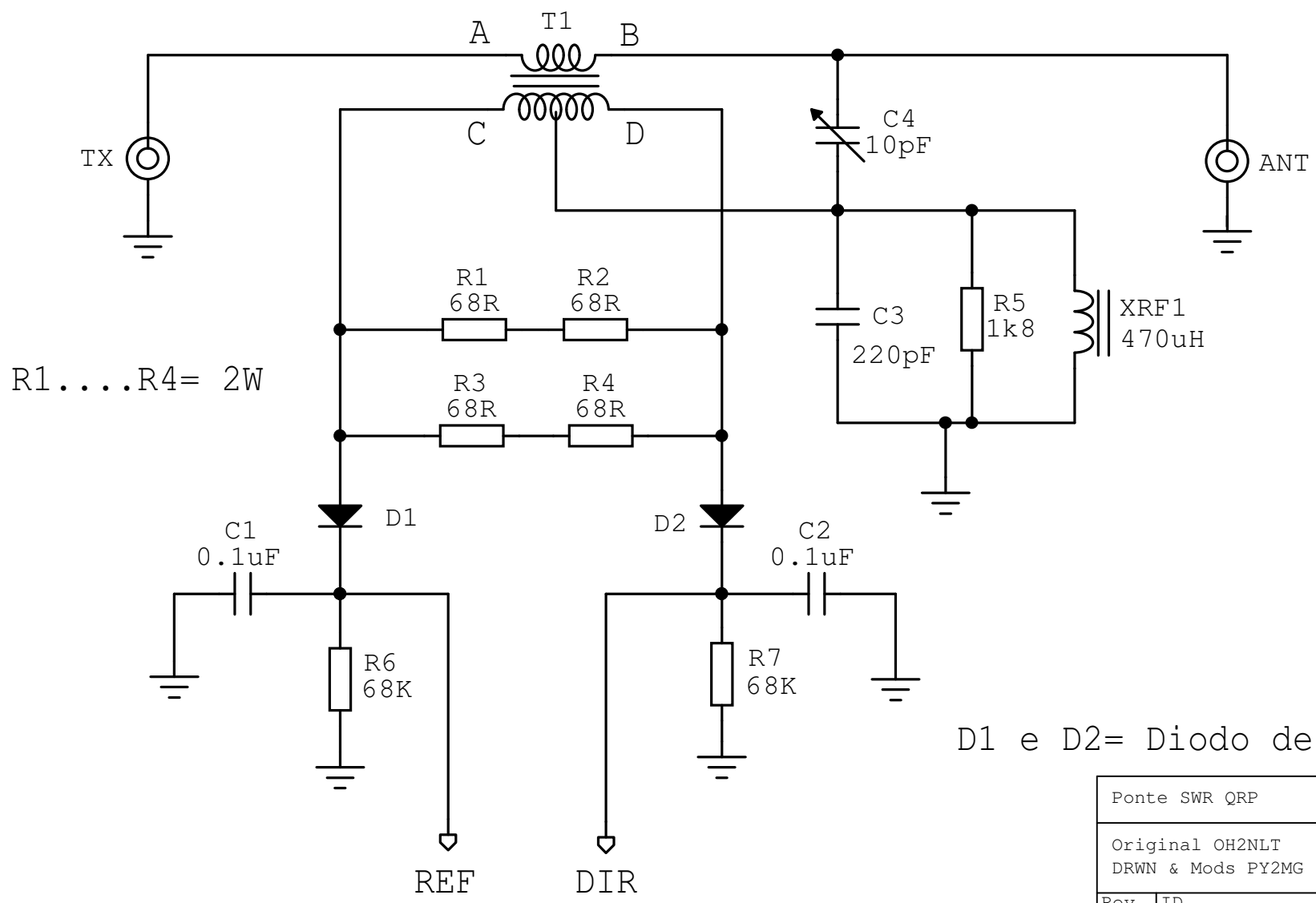


T1= Enrolamento AB= 1 espira fio 20AWG
 Enrolamento CD= 20 espiras fio 30AWG tap central
 Nucleo binocular de ferrite



Ponte SWR QRP	
Original OH2NLT DRWN & Mods PY2MG	
Rev 0	ID swrqrp
Date: 20 julho 2007	Page: 1 of 1